

DATA SHEET **NOVUS BARRIER**

1 / 2

Unique barrier which corners to 90 degrees and has leaves no gaps

BARRIER

NOVUS

PRODUCT CODE NVSV

WL 2000MM

W 520MM

H 800MM

TL 2300

WEIGHT E/ F 25KG /180KG

BARRIER CAPACITY 155L

PER PALLET 10

FULL LOAD 135

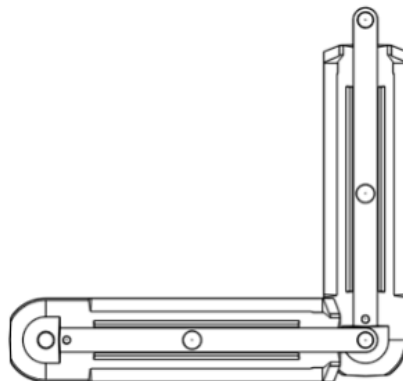
MATERIAL UV MDPE

COLOUR RED / WHITE / CUSTOM

REFLECTIVE PANEL OPTIONAL

MIRA WIND SPEED 68 MPH

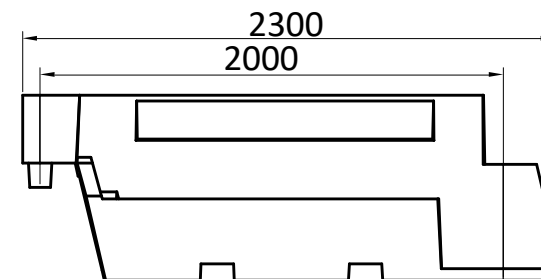
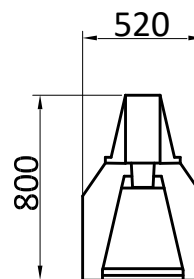
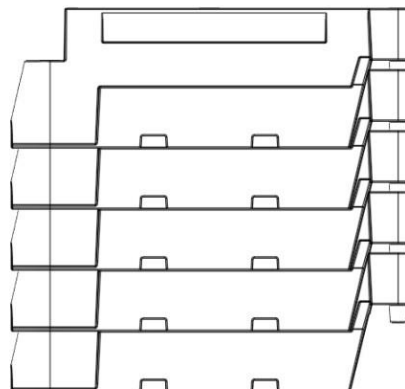
GAPLESS
CORNER



GAPLESS
STRAIGHT



STACKED
X 5 HIGH



DATA SHEET **NOVUS BARRIER**

2 / 2

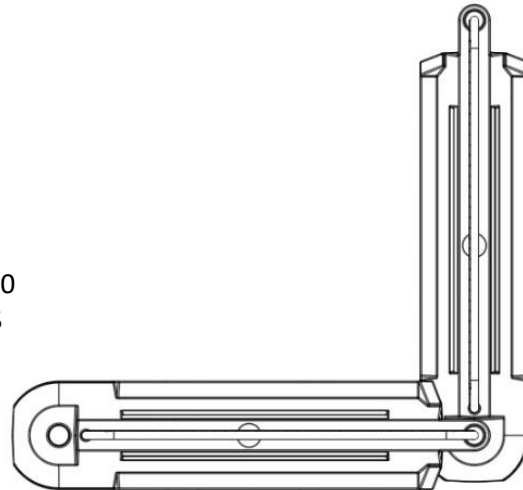
Unique barrier which corners to 90 degrees and has leaves no gaps

ACCESSORIES

NOVUS MESH

| | |
|-----------------------|-------------------|
| PRODUCT CODE | NVM |
| L | 1908MM |
| W | 42MM |
| H | 1651MM |
| TH | 2000MM |
| WEIGHT E | 8KG |
| PER PALLET | 30 |
| FULL LOAD INC BARRIER | 95 |
| MATERIAL | STEEL POWDER COAT |
| COLOUR | WHITE / CUSTOM |
| MIRA WIND SPEED | 58MPH |

MESH
CORNER 90
DEGREEES



STRAIGHT

